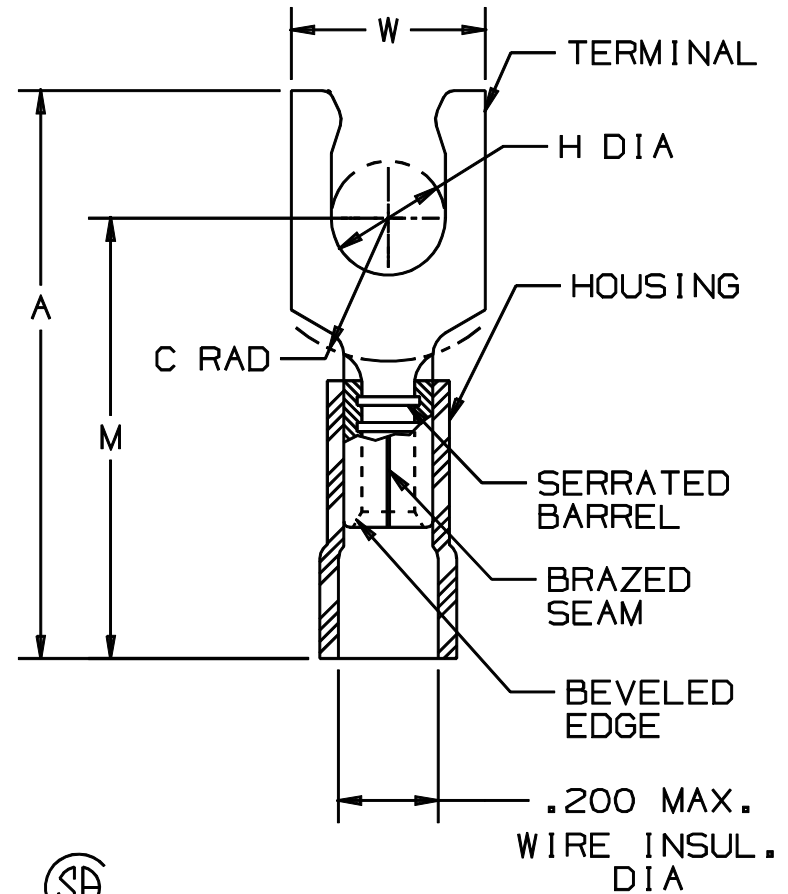


THIS COPY IS PROVIDED ON A RESTRICTED BASIS AND IS NOT TO BE USED IN ANY WAY DETRIMENTAL TO THE INTERESTS OF PANDUIT CORP.

PANDUIT PART NUMBER	STUD SIZE	DIMENSIONS in.				
		A ±.03	W ±.01	C ±.02	M ±.03	H ±.01
PV14-6LFX	#6	.95 (24.13)	.25 (6.35)	.20 (5.08)	.74 (18.80)	.15 (3.81)
PV14-8LFX	#8	1.01 (25.66)	.29 (7.37)	.23 (5.84)	.78 (18.82)	.17 (4.32)
PV14-10LFX	#10	1.01 (25.66)	.33 (8.38)	.23 (5.84)	.78 (18.82)	.20 (5.08)

**NOTES:**

1. UL LISTED & CSA CERTIFIED FOR
  - A. 600 V. MAX. VOLTAGE RATING (1000 V. MAX. IN SIGNS, FIXTURES AND LUMINAIRES.)
  - B. 18-14 AWG SOLID OR STRANDED COPPER WIRE & 221°F (105°C) MAX TEMP RATING, WITH THE CT-500, CT-1550, CT-1551 & CT-550 INSTALLATION TOOLS.
  - C. 16-14 AWG SOLID OR STRANDED COPPER WIRE & 167°F (75°C) MAX TEMP RATING WITH THE CT-100 AND CT-250 INSTALLATION TOOLS.
2. MATERIAL:
  - A. STAMPING - .032 (.81) THK COPPER, TIN PLATED
  - B. HOUSING - VINYL, BLUE
3. STRIP LENGTH 5/16 <sup>+1/32</sup> <sub>-0</sub>
4. PACKAGE QTY.: -C=100/-M=1000
5. DIMENSIONS IN BRACKETS ARE IN MILLIMETERS



LISTED  
587H  
E52164



CERTIFIED  
LR31212

A41225\_05

							<b>PANDUIT</b> CORP. TINLEY PARK, ILLINOIS				
05	1/01	KMD		CAD FILE SPEC. WAS N41225AA_PCD_04			#16-14 BARREL VINYL INSULATED LOCKING FORK, .200 (5.08) MAX. WIRE INSULATION DIAMETER				
04	2/96	ED		REV.S TO TABLE & NOTES FILESPEC WAS: A41225A.PRT	04117						
03	7-88	DW		REDRAWN WITH REVISIONS		JRB					
REV	DATE	BY	CHK	DESCRIPTION	ECN #	CUST	PM	DRAWN BY DAW	CHK'D JH	SCALE NONE	DRAWING NO. A41225